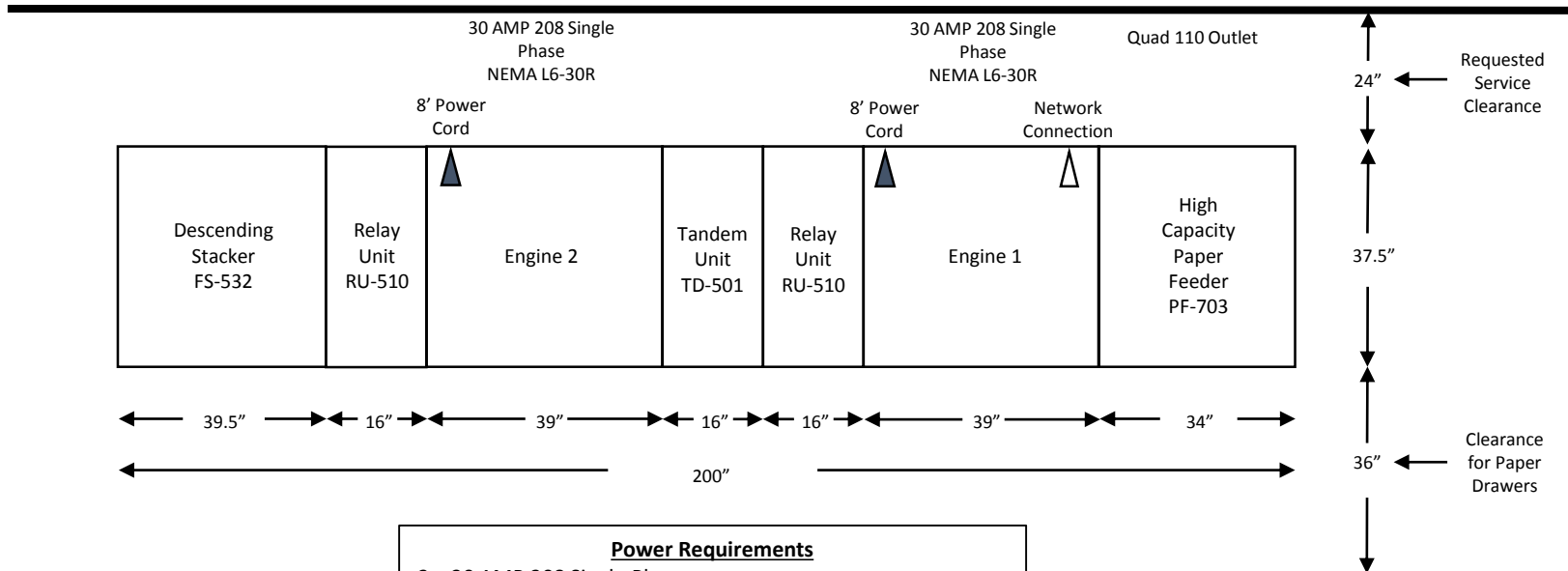




MCS KM 2250 Physical Planning Sheet

Wall



Power Requirements

2 – 30 AMP 208 Single Phase NEMA L6-30R

1 – Quad 110 Outlet

NEMA Diagram for L6-30R