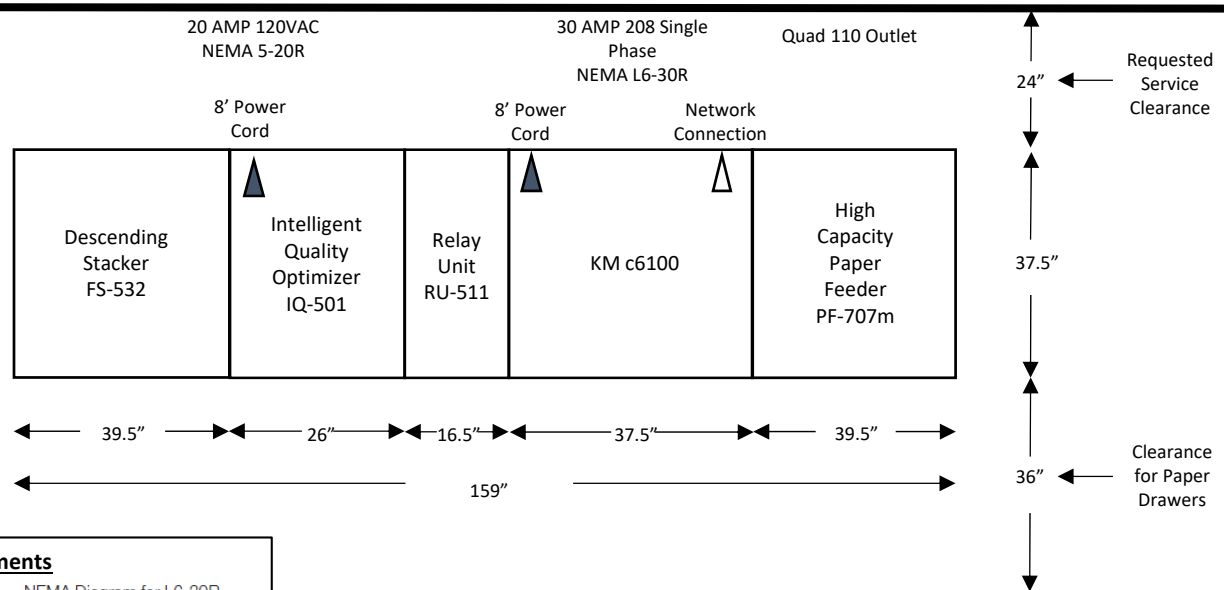





MCS KM c6100 Physical Planning Sheet

Wall



Power Requirements	
1 – 30 AMP 208 Single Phase NEMA L6-30R	NEMA Diagram for L6-30R
1 – 20 AMP 120 NEMA 5-20R	
1 – Quad 110 Outlet	
Network Requirements	
2 – IP addresses (1 for Creo Server, 1 for engine service)	
1 – Network Connection (2 if not using supplied 5 port switch)	